

ANKO SL-2055B-D-24 USER MANUAL



Quick Links

[Cleaning and Maintenance](#)

Table of Contents

[IMPORTANT SAFETY INSTRUCTIONS](#)

[BEFORE FIRST USE](#)

[KNOW YOUR STEAM IRON](#)

[OPERATION](#)

[CLEANING AND MAINTENANCE](#)

[IRONING TIPS](#)

[Other ManualsLib Projects](#)

anko

**Steam Iron
SL-2055B-D-24
User Manual**



**PLEASE READ AND SAVE THESE
INSTRUCTIONS FOR FUTURE REFERENCE**

IMPORTANT SAFETY INSTRUCTIONS

When using any electrical product, always follow these basic safety precautions:



READ ALL INSTRUCTIONS BEFORE USE.

Read this user manual carefully before first use and save it for future reference.

- This appliance is not intended for use by persons (including children) with reduced physical, sensory or mental capabilities, or lack of experience and knowledge, unless they have been given supervision or instructions concerning use of the appliance by a person responsible for their safety.
- Children should be supervised to ensure that they do not play with the appliance.
- Cleaning and user maintenance shall not be made by children without supervision.
- This product has been designed for domestic use only. In case of any commercial use, inappropriate use or failure to comply with the instructions, the manufacturer is not responsible, and the guarantee will not apply.
- Before connecting your appliance, check if the mains voltage is the same as the voltage indicated on your appliance and that the power outlet has an earth connection. If unsure check with an electrician.
- Before each use ensure that the electric cord or any other parts on the iron is not damaged.
- If the supply cord is damaged, it must be replaced by the manufacturer, its service agent or similarly qualified persons in order to avoid a hazard.
- Keep the iron and its cord out of reach of children when it is connected to mains power or cooling down.
- Never direct the steam towards persons or animals. Never direct the steam jet towards any other electrical or/and electronic appliances.
- The iron is not to be used if it has been dropped, if there are visible signs of damage or if it is leaking water.
- If the appliance shows evidence of damage, malfunction, water leaks or other abnormality, DO NOT use.
- Always make sure the appliance is switched OFF, unplugged and fully cooled down before cleaning.
- **IMPORTANT! The iron must not be left unattended while it is connected to mains power and before it has cooled down.**
- Do not unplug the appliance by pulling on the cord or on the appliance.
- Never immerse the iron, the stand, the cable or cord plug in water. Never wash them in water or other liquid.
- The soleplate of the iron can become extremely hot and may cause burns if touched. Do not allow the supply cord to come in contact with the soleplate.
- **CAUTION! For electrical safety, if the supply cord is damaged, it must be replaced by qualified electrical person only to avoid a hazard or the product must be disposed.**
- When placing the iron on its stand, ensure that the surface on which the stand is placed is flat and stable.
- For additional protection, this appliance should be connected to a household residual current device (RCD/safety switch) with a rating of no more than 30mA. If unsure consult your electrician for advice.
- The iron must only be used with the stand provided.

BEFORE FIRST USE

Unpack the appliance and check if all parts are there and undamaged. Should this not be the case, return the product to Kmart for replacement.

The packaging contains:

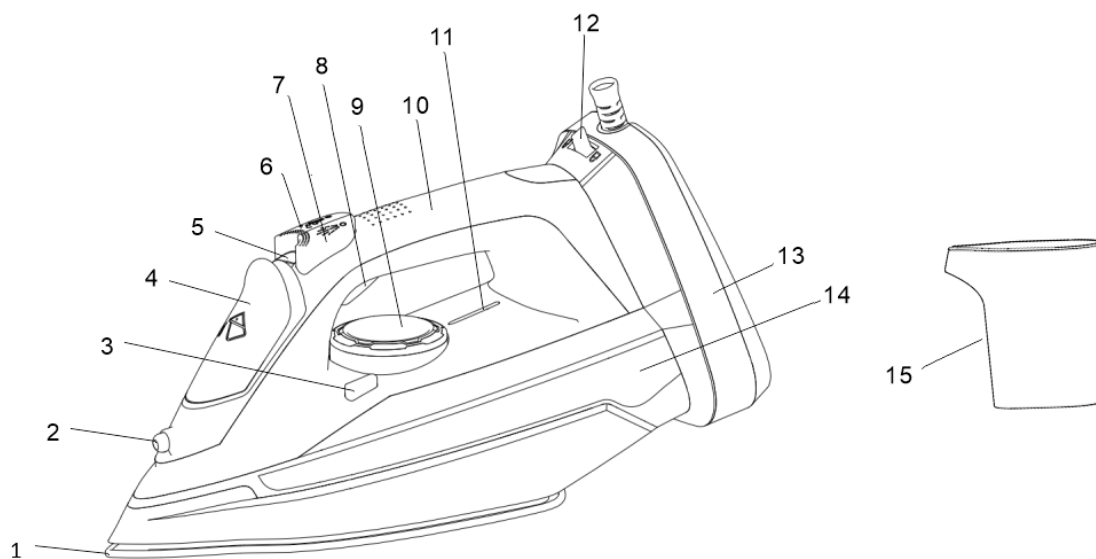
- One steam iron
- One power base
- One filler cup

Clean all parts before first use. See ***Cleaning and Maintenance***

Heat up the iron to its maximum temperature and iron over a piece of damp cloth for several minutes. This will burn-off any manufacturing residue from the iron. Smoke and odour may occur for a short period during this process, which is normal.

**SAVE THESE INSTRUCTIONS
FOR HOUSEHOLD USE ONLY**

KNOW YOUR STEAM IRON



- | | | | |
|---|-----------------------|----|----------------------|
| 1 | Soleplate | 8 | Steam setting button |
| 2 | Spray nozzle | 9 | Temperature dial |
| 3 | Self-clean button | 10 | Handle |
| 4 | Water Filling inlet | 11 | Indicator lamp |
| 5 | Steam setting display | 12 | Power base lock |
| 6 | Steam shot button | 13 | Power base |
| 7 | Spray button | 14 | Water tank |
| | | 15 | Measuring cup |

FEATURES

Your iron has an Anti-Drip system and Auto-Off function.

Anti-Drip system:

This is to prevent water escaping from the soleplate when the iron is cold. **During use, the anti-drip system may emit a 'clicking' sound when heating up or cooling down. This is normal and indicates that the system is functioning correctly.**

Auto-Off function:

Automatically switches off the steam iron if it has not been moved for a while, or if the iron is left resting on the stand for approximately 8 mins.

Cordless function:

Unlock the power base lock to use as Cordless Steam Iron.

Put the steam iron on the power base for charging, remove the iron from base when the indicator light goes off. The appliance is capable to operate as steam iron for approximately 40 seconds or can discharge 10 bursts of steam when fully charged.

OPERATION


Filling the water tank

- Ensure that the iron is cold and not connected to mains power.
- Open the water filling inlet (4) by lifting the cap.
- Hold the iron in a tilted position and fill the water tank with plain water by using the measuring cup.
- **CAUTION! DO NOT exceed the max level on the water tank.**
- Close the water filling inlet (4) by pressing down the cap until you hear a click. Ensure the water tank is properly closed to avoid water spillage.

NOTES: To avoid calcium deposits, we recommend using distilled water to fill the water tank.

IMPORTANT! To avoid damage or blockage of the steam iron, do not use any scented water or additives.

Steam Ironing

- Fill the water tank with water.
- Position the iron vertically on its charging base, stand on a suitable flat stable surface.
- Ensure that the steam function is OFF: checked steam setting display (5) shows "0".
- Connect the supply cord plug into a suitable mains power outlet socket, the BLUE Power indicator lamp on the iron should illuminate.
- Turn the temperature dial (9) to a setting within the steam range  .
- When the indicator light is OFF, it means the iron is ready to use.
- Press the steam setting button (8) to select desired steam level.
Check steam setting display (5):
 - "0" – no steam
 - "1" – low steam
 - "2" – high steam
- Now steam ironing can begin.

Dry Ironing

- Position the iron vertically on its charging base, stand on a suitable flat stable surface.
- Ensure that the steam function is OFF: check steam level indicator is showing "0".
- Connect the supply cord plug into a suitable mains power outlet socket, the BLUE Power indicator lamp on the iron should illuminate.
- Turn the temperature dial (9) to a desired temperature setting.
- When the indicator light is OFF, you may start dry ironing.

Steam spray

- Set the temperature dial (9) at MAX position, when the indicator goes off, press the spray button a couple of times to moisten the garment. Before spraying make sure that there is enough water in the water tank.

NOTE: Do not spray water on silk.

Steam shot

- Set the temperature dial (9) at MAX position, when the indicator goes off, press the steam shot button to instantly provide a powerful burst of steam to eliminate stubborn wrinkles.

- The steam shot button can also be used when holding the iron in a vertical position. This is useful for removing creases from hung clothes, curtains, etc.

CAUTION: To protect against burns or injury to persons, do not iron or steam fabrics while being worn on the body. Do not direct steam towards the body when ironing.

After ironing

- After use, rotate the temperature dial (9) to OFF position and disconnect the Power base (13) from mains power.
- Let the iron cool down and empty the water tank to prevent built up of any residue in the water tank.

Self-clean function

The self-cleaning function should be used on a regular basis, depending on usage and the hardness of water used in the iron.

WARNING: Never pour white vinegar or any liquid cleaners into the water tank!

- Fill the water tank. Refer to OPERATION: Filling the water tank.
- Position the iron vertically on its stand on a suitable surface.
- Ensure the steam setting display (5) shows "0".
- Connect the supply cord plug to a suitable power outlet socket.
- Set to maximum ironing temperature.
- Once the soleplate temperature is reached, unplug the iron from the mains power outlet socket.
- Hold the iron over a sink (away from your body), press the self-clean button. Boiling water and steam will now emit from the holes on the soleplate.
- Carefully shake the iron forwards and backwards to allow any scale and other deposits being expelled with boiling water and steam.
- Release the self-clean button when the water tank is empty.
- Plug the appliance into a mains power outlet socket, set a temperature and leave in operation for at least two minutes to dry the soleplate.
- Unplug the iron and let the iron cool down completely before storing.

CLEANING AND MAINTENANCE

- Clean the upper part of the iron with a damp cloth. Use a mild detergent if necessary.
- Do not use alcohol, acetone, benzene, scouring cleaning agents etc., to clean the iron. Do not use hard brushes or metallic objects.
- Remove any deposits on the soleplate with a damp cloth. To avoid scratching the sole plate, never use a metallic pad to clean the soleplate, and never place the iron on a rough surface.
- To remove synthetic residue from the soleplate, iron over an old cotton rag in high heat setting.
- Always store the emptied iron horizontally on a stable surface with a cloth protecting the soleplate.

IRONING TIPS





Before you start ironing, always check whether a label with ironing instructions is attached to the garment.

IMPORTANT! Always follow the ironing instructions attached to the garment.

- The iron heats up quicker than it cools down, therefore, you should start ironing the articles first requiring the

lowest temperature such as those made of synthetic fibre.

- If the fabric consists of various kinds of fibres, you must always select the lowest ironing temperature to iron the composition of those fibres.
- Silk and other fabrics that are likely to become shiny should always be ironed on the inner side.
- To prevent staining do not spray water straight on silk or other delicate fabrics.
- Velvet and other textures that rapidly become shiny should be ironed in one direction with light pressure applied. Always keep the iron moving at all times.
- Pure wool fabrics (100% wool) may be ironed with the iron set to steam position. Preferably set steam button to the maximum position and use a dry cloth between the garment and the iron for protection.
- Do not touch plastic buttons on the garment with a hot iron because they may melt.
- Be careful around zippers and similar items to prevent the soleplate from scratching.

Symbol	Fabric	Temperature setting	Variable steam	Steam shot	Spray
	Nylon, silk	MIN ●	✗	✗	✓
	Wool	● ●	✗	✗	✓
	Cotton, Linen	● ● ● MAX	✓	✓	✓
	Attention! This symbol indicates: DO NOT IRON!				✓ possible ✗ not possible

TECHNICAL SPECIFICATION

Voltage: 220-240V~ 50-60Hz

Power: 2000-2400W

12 MONTH WARRANTY

Thank you for your purchase from Kmart.

Kmart Australia Ltd warrants your new product to be free from defects in materials and workmanship for the period stated above, from the date of purchase, provided that the product is used in accordance with accompanying recommendations or instructions where provided. This warranty is in addition to your rights under the Australian Consumer Law.

Kmart will provide you with your choice of a refund, repair or exchange (where possible) for this product if it becomes defective within the warranty period. Kmart will bear the reasonable expense of claiming the warranty. This warranty will no longer apply where the defect is a result of alteration, accident, misuse, abuse or neglect.

Please retain your receipt as proof of purchase and contact our Customer Service Centre on 1800 124 125 (Australia) or 0800 945 995 (New Zealand) or alternatively, via Customer Help at [Kmart.com.au](https://www.kmart.com.au) for any difficulties with your product. Warranty claims and claims for expense incurred in returning this product can be addressed to our Customer Service Centre at 690 Springvale Rd, Mulgrave Vic 3170.

Our goods come with guarantees that cannot be excluded under the Australian Consumer Law. You are entitled to a replacement or refund for a major failure and compensation for any other reasonably foreseeable loss or damage. You are also entitled to have the goods repaired or replaced if the goods fail to be of acceptable quality and the failure does not amount to a major failure.

For New Zealand customers, this warranty is in addition to statutory rights observed under New Zealand legislation.

Other ManualsLib Projects



www.manualslib.com



www.manualslib.de



www.manualslib.es



www.manualslib.fr



www.manualslib.nl



www.manualslib.mx



www.manualslib.tech 30+ Languages